

Name: _____

Date: _____ Hr: _____

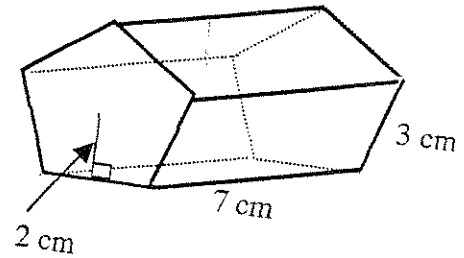
A New Look at Boxing

Activity 3 NOTES Day 2

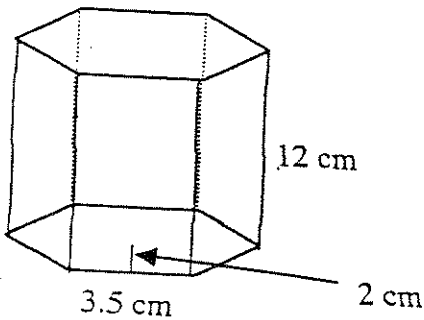
Surface Area of Polygonal Prisms

1. What is the formula for find the area of a regular polygon? Describe what each variable represents.

2. Find the surface area of the pentagonal prism below:



3. The cupcake box shown below is an hexagonal prism. Find its surface area.



PRACTICE:

4. Find the surface area of the cupcake box below.

