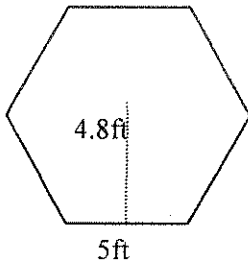


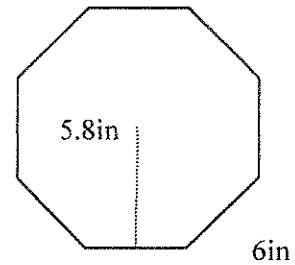
- 1) Find the area of a regular PENTAGON with a side length of 5ft and an apothem of 3.4ft.
- 2) Find the area of a regular OCTAGON with an apothem of 4in and a side length of 6.2in.
- 3) Find the area of a regular 12-gon with a side length of 20ft and an apothem of 18ft.

Find the area of each figure:

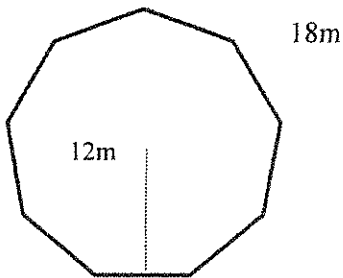
4)



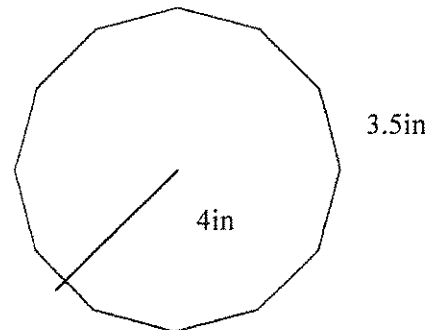
5)



6)

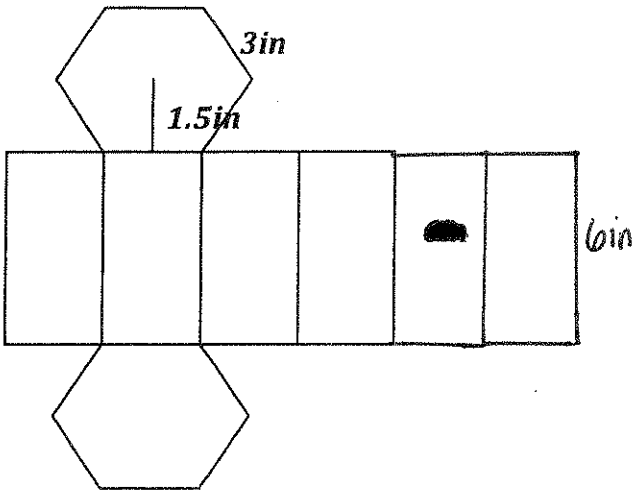


7)

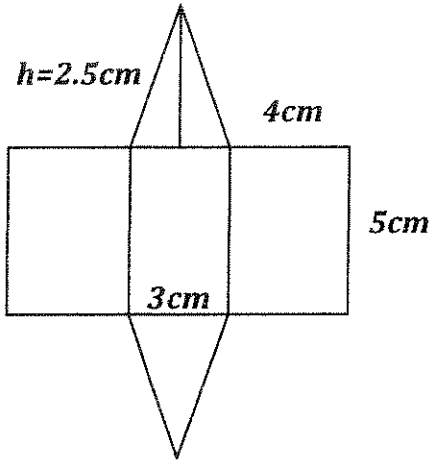


8) Find the area of each net:

a)



b)



9) A box manufacturer wishes to cut templates from a roll of cardboard 400cm wide by 85m long. The dimensions of the smallest rectangle that will enclose the template are 5.2cm and 8.5cm. How many templates can be cut from one roll?