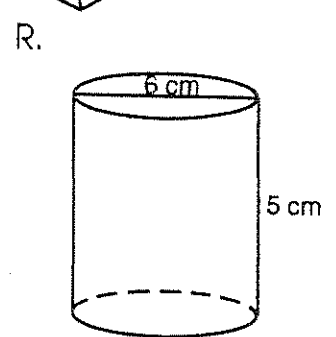
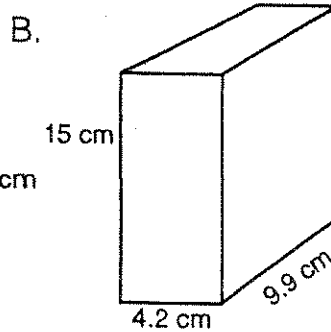
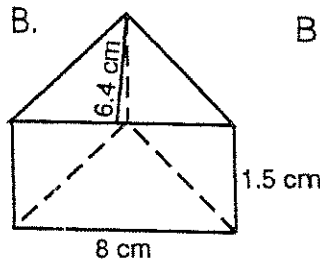
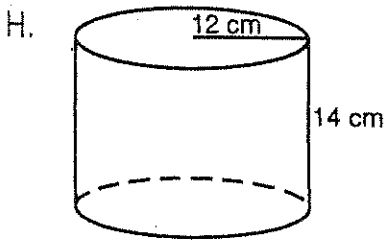
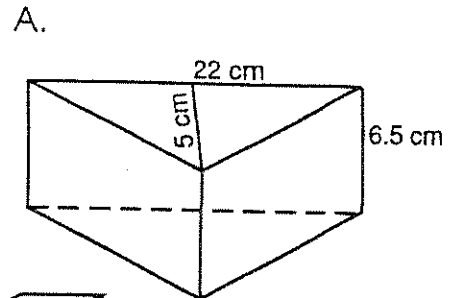
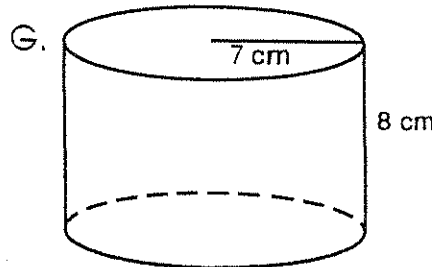
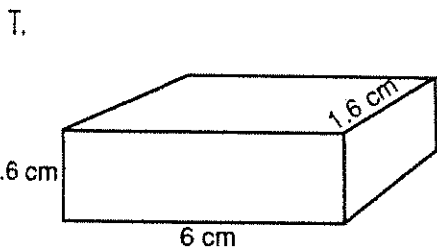
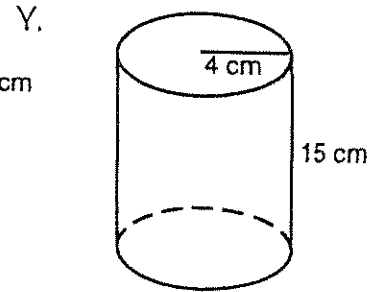
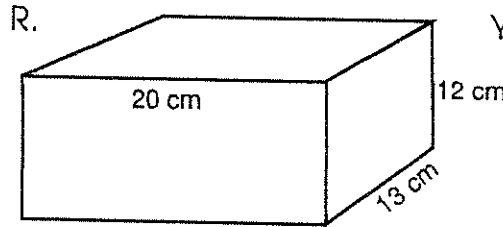
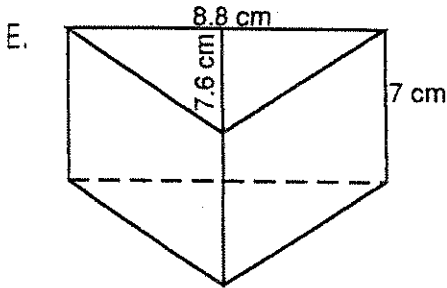
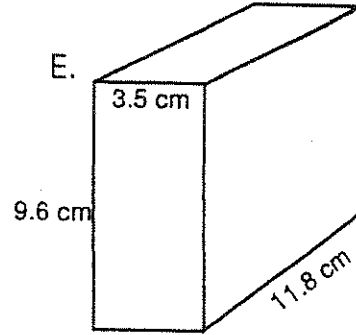
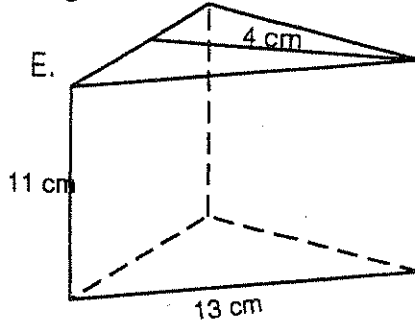
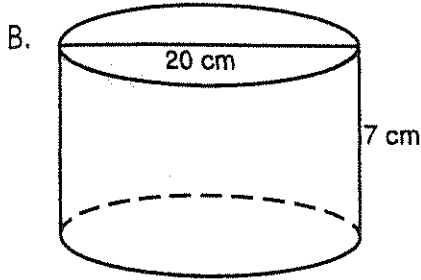


Volume

Name _____

What famous portrait was painted by Humphrey Bogart's mother?

To find out, find the volumes of the following shapes. Then, find the answer at the bottom of the page and put the corresponding letter above each answer. Use 3.14 for π .



_____ 15.36 cm^3 _____ 6330.24 cm^3 _____ 286 cm^3

_____ 1230.88 cm^3 _____ 234.08 cm^3 _____ 141.3 cm^3 _____ 38.4 cm^3 _____ 396.48 cm^3 _____ 3120 cm^3

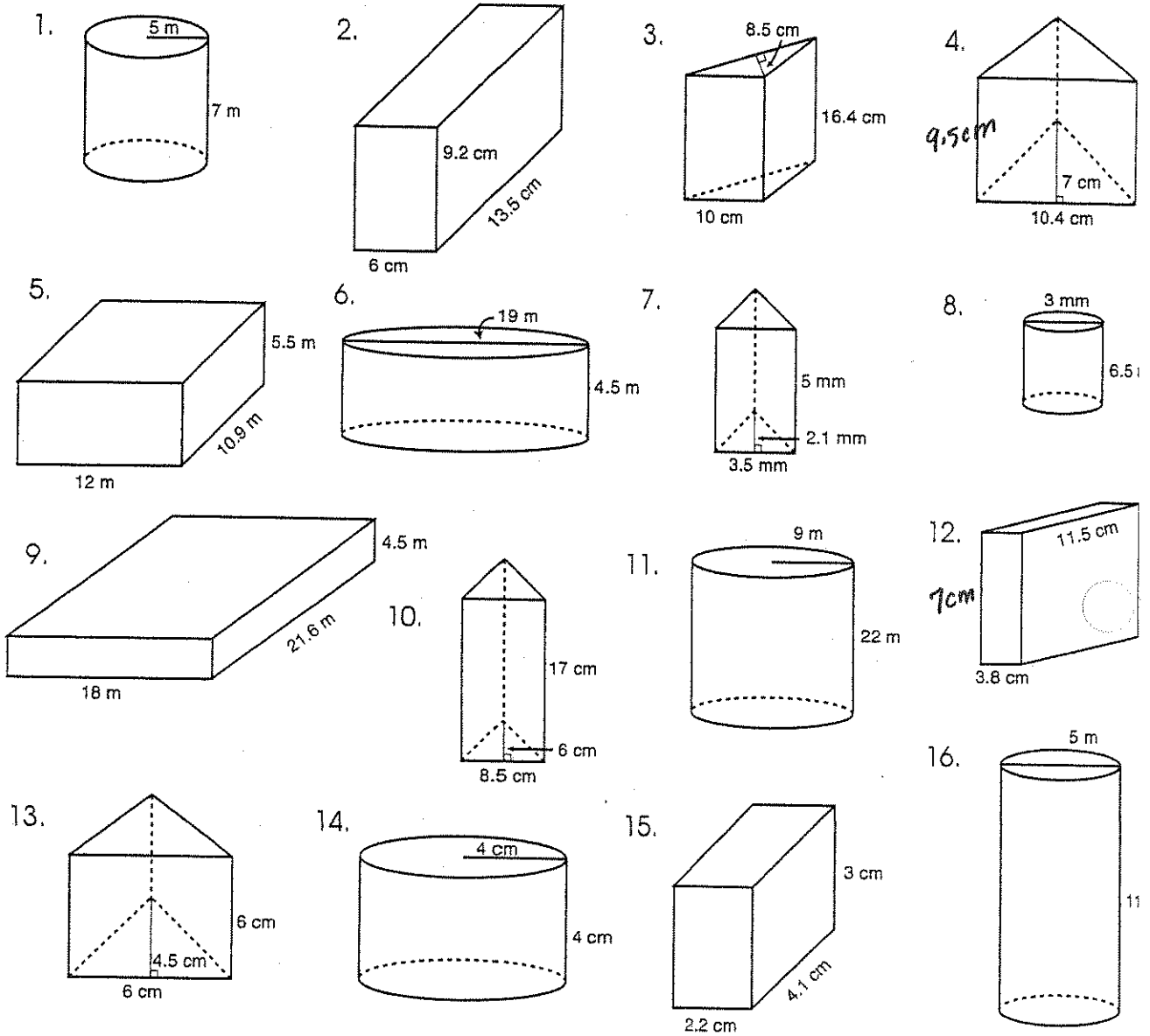
_____ 623.7 cm^3 _____ 357.5 cm^3 _____ 2198 cm^3 _____ 753.6 cm^3

Volume

Skill: volume of prisms and cylinders

Name _____

Find the volume of each prism and cylinder. Use 3.14 for π .



- 17. Triangular prism:
base area = 7.5 mm^2
 $h = 9 \text{ mm}$
- 18. Cylinder:
 $d = 6 \text{ cm}$
 $h = 11 \text{ cm}$
- 19. Rectangular prism:
 $l = 4 \text{ m}$
 $w = 5.6 \text{ m}$
 $h = 7.4 \text{ m}$
- 20. Cylinder:
 $r = 2.5 \text{ mm}$
 $h = 2 \text{ mm}$
- 21. Rectangular prism:
 $l = 18.5 \text{ m}$
 $w = 16 \text{ m}$
 $h = 11.8 \text{ m}$
- 22. Triangular prism:
base area = 41.2 cm^2
 $h = 4.5 \text{ cm}$
- 23. Cylinder:
 $r = 10 \text{ m}$
 $h = 17 \text{ m}$
- 24. Rectangular prism:
 $l = 12.5 \text{ cm}$
 $w = 14.5 \text{ cm}$
 $h = 4 \text{ cm}$