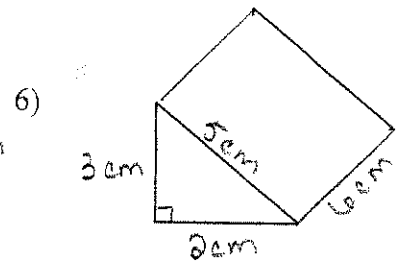
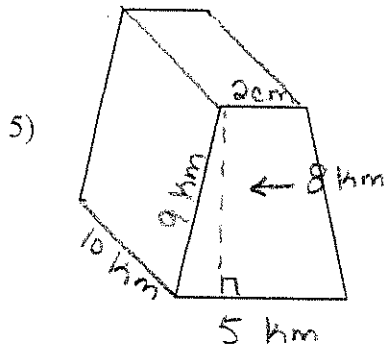
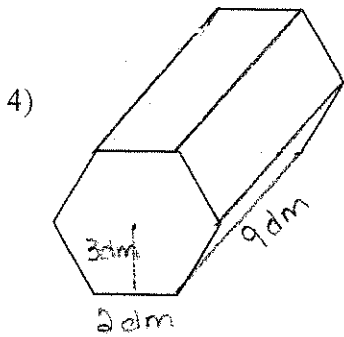
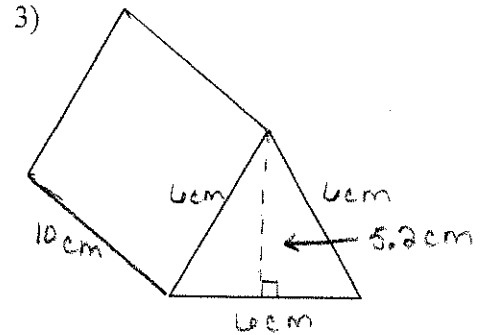
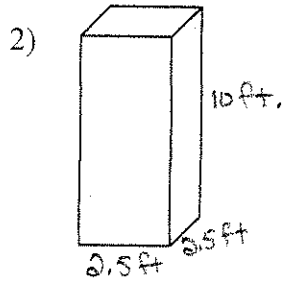
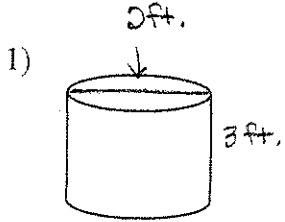


Name: _____

Date: _____ Hr. _____

What Will We Do When
The Well Runs Dry?
Volume Worksheet

Find the volume of each of the following.

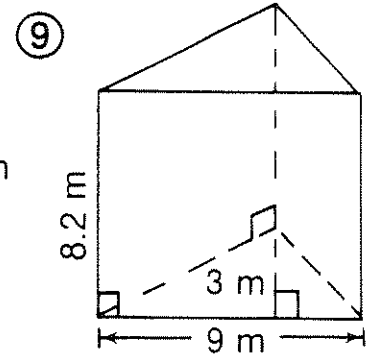
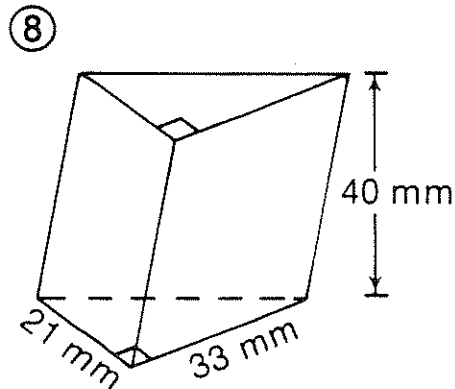
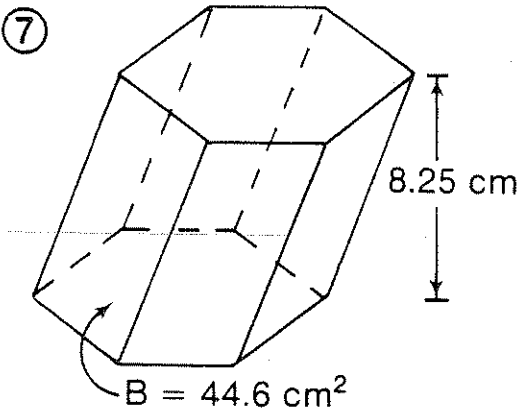
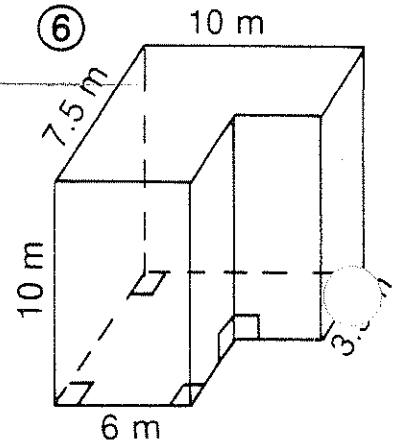
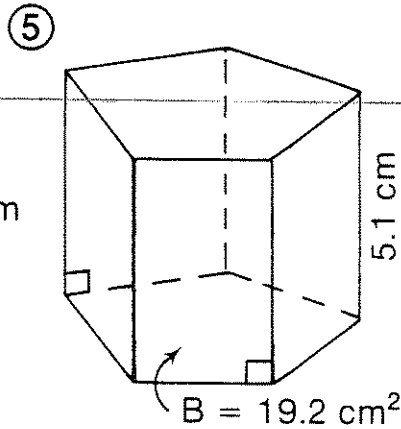
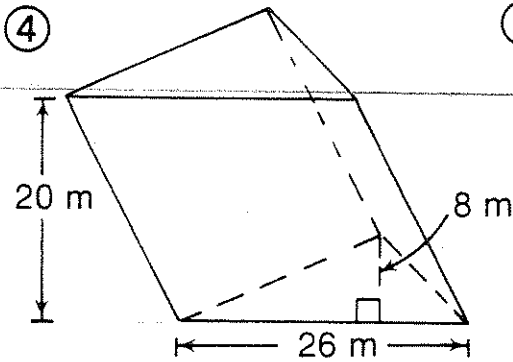
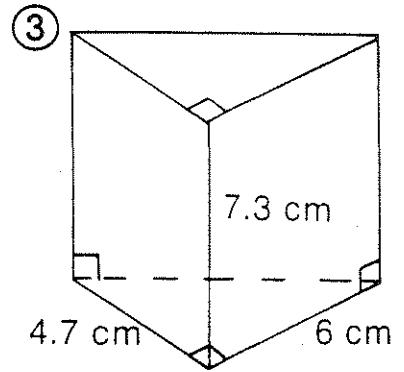
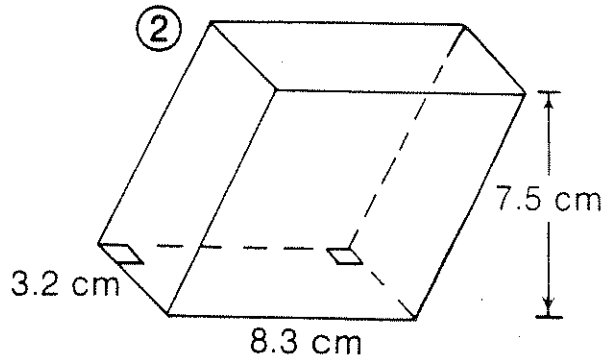
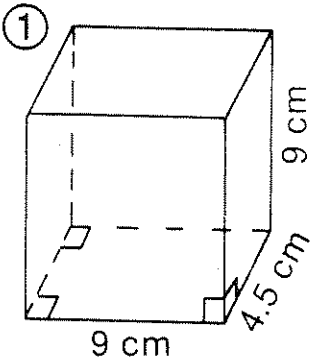




What Do You Call It When A Bull Eats A Bomb?



Figure out the VOLUME of each prism and find your answers in the rectangle below. Cross out each box containing a correct answer. When you finish, there will be 5 boxes not crossed out. Print the letters from these boxes in the boxes at the bottom of the page.



CO 102.93 cm ³	WS 2080 m ³	GR 110.7 m ³	AB 117.7 m ³	IG 97.92 cm ³	BO 199.2 cm ³	OM 9150 mm ³
BL 590 m ³	IN 369.5 cm ³	OW 364.5 cm ³	AB 1050 m ³	HO 13,860 mm ³	LE 91.82 cm ³	UP 367.95 cm ³